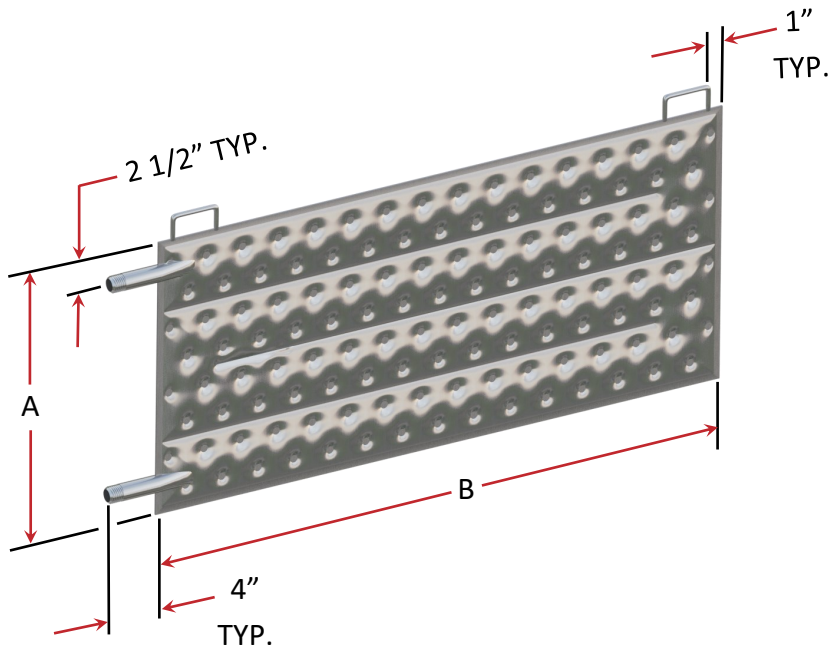


TYPE 6 IMMERSION PLATE



The **TYPE 6** immersion plate is designed for liquid service. The plate is equipped with equal size inlet and outlet nozzles supplying a serpentine path through the plate created by integral weld baffles, which run back and forth along the length of the plate. The baffles are positioned evenly part to provide consistent turbulent flow throughout the plate.

Optional plate hangers are available for easy installation.

Standard Specifications:

- Surface Type: Double Embossed
- Sheet Thickness: 14ga. (0.075")
- MOC: 304 Stainless Steel
- Pressure Rating: 150 PSIG / 400°F

NOZZLE SCHEDULE	
INLET	OUTLET
3/4" NPT	3/4" NPT
1" NPT	1" NPT
1 1/2" NPT	1 1/2" NPT

Standard nozzles are Male NPT

PLATE SURFACE AREA CHART

(A) - PLATE HEIGHT, Inches	(B) - PLATE LENGTH, Inches												AREA = ft ²
	23	29	35	47	59	71	83	95	107	119	131	143	
12	3.8	4.8	5.8	7.8	9.8	11.8	13.8	15.8	17.8	19.8	21.8	23.8	
18	5.8	7.3	8.8	11.8	14.8	17.8	20.8	23.8	26.8	29.8	32.8	35.8	
22	7.0	8.9	10.7	14.4	18.0	21.7	25.4	29.0	32.7	36.4	40.0	43.7	
26	8.3	10.5	12.6	17.0	21.3	25.6	30.0	34.3	38.6	43.0	47.3	51.6	
29	9.3	11.7	14.1	18.9	23.8	28.6	33.4	38.3	43.1	47.9	52.8	57.6	
36	11.5	14.5	17.5	23.5	29.5	35.5	41.5	47.5	53.5	59.5	65.5	71.5	
43	13.7	17.3	20.9	28.1	35.2	42.4	49.6	56.7	63.9	71.1	78.2	85.4	
48	15.3	19.3	23.3	31.3	39.3	47.3	55.3	63.3	71.3	79.3	87.3	95.3	

Contact our office for available stock sizes and additional arrangements.
 Designs also available with an ASME U Stamp, bang pads, riser sleeves, and special finishes.